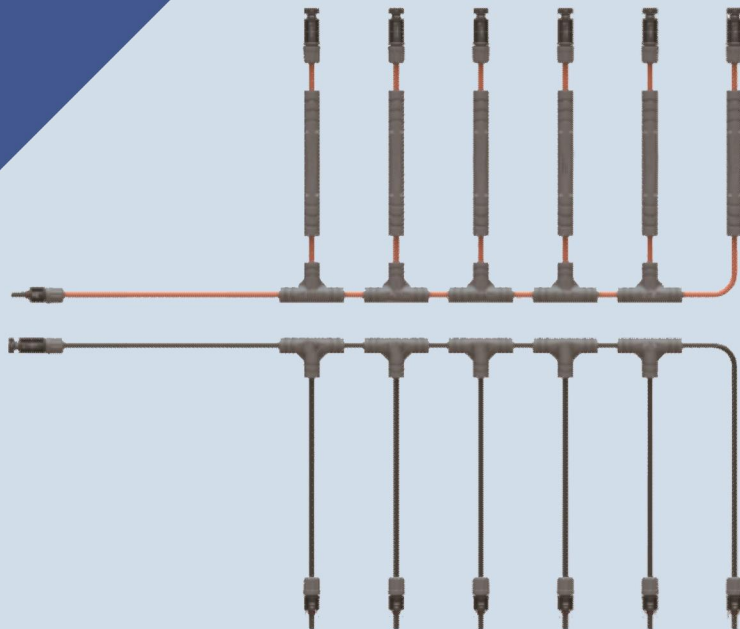




H SERIES SOLAR INTEGRATED HARNESSES



Features

- MAX RATED CURRENT 400A
- MAX RATED SYSTEM VOLTAGE DC 1500V
- BETTER BOS COST
- HI-TECH SEALING TECHNOLOGY
- AUTHORIZED PATENTS
- UV RESISTANCE
- IP 68
- IEC&UL QUALIFIED AND CERTIFIED

Parameter Data

TYPE	CABLE	CONNECTOR	VOLTAGE	FUSE	Remark
H-I: I Junction	A: 2.5mm ² /14AWG	A: A4 Max Series	L: 1100V	01: 1A	
H-Y: Y Junction	B: 4m ² /12AWG	B: STAUBLI KST4(MC4)	H: 1500V	02: 2A	
H-X: X Junction	C: 6m ² /10AWG	C: STAUBLI MC4-EVO2		03: 3A	
H-T: T Junction	D: 10mm ² /8 AWG	D: CANADIANSOLAR T4/T6		04: 4A	
H-3B1: 3B1 Junction	E: 16m ² /6 AWG	E: TRANASOLAR TS4/Plus		---	
H-4B1: 4B1 Junction	F: 95m ² Alloy Cable	F: JINKO JK03M 1/2/3 Series		25: 25A	
H-4B2: 4B2 Jnction	G: 120m ² Alloy Cable	G: LONGI PV LR-5 Series		---	
H-5B1: 5B1 Junction	H: 150m ² Alloy Cable	H: AMPHENOL H4/Plus		XX: max 80A	
H-6B1: 6B1 Junction	I: 185m ² Alloy Cable	I: Option			
H6 Galaxy	L: 240m ² Alloy Cable				

Remark

Pis get more information from hxcableusa.com

H-Y Branch
H-Y Solar Branch



H-Y
DC 1500V, MAX 70A



UL94-V0



UL 1500V/ IEC 1500V



IP 68



UV RESISTANCE

TYPE	CABLE SPEC	CONNECTOR	VOLTAGE	Remark
H-Y-2M1F	2.5m ² ~16m ²	Customized	1500V	
H-Y-2F1M				

Remark:

H series harnesses use high quality weather resistance materials that guarantee long-term reliability. H series Harnesses could match 2.5 m² to 240 m² cables, it could be widely used in different applications. H series harnesses have IP68 water-proof rating and can be used in a wide operating temperature range from -40 °C to 85 °C.

H-X Branch
H-X Branch



H-X
DC 1500V, MAX 70A



UL94-V0



UL 1500V/ IEC 1500V



IP 68



UV RESISTANCE

TYPE	CABLE SPEC	CONNECTOR	VOLTAGE	Remark
H-X-3M1F	2.5mm ² ~16mm ²	Customized	1500V	
H-X-3F1M		Customized	1500V	

Remark:

H series harnesses use high quality weather resistance materials that guarantee long-term reliability. H series Harnesses could match 2.5 mm² to 240 mm² cables, it could be widely used in different applications. H series harnesses have IP68 water-proof rating and can be used in a wide operating temperature range from -40 °C to 85 °C.

H-T Branch
T Branch



H-T
DC 1500V, MAX 70A



UL94-V0



UL 1500V/ IEC 1500V



IP 68



UV RESISTANCE

TYPE	CABLE SPEC	CONNECTOR	VOLTAGE	Remark
H-T-2F1M	2.5m m ² ~16m m ²	Customized	1500V	
H-T-2M1F		Customized	1500V	

Remark:

H series harnesses use high quality weather resistance materials that guarantee long-term reliability. H series Harnesses could match 2.5 m² to 240 m² cables, it could be widely used in different applications. H series harnesses have IP68 water-proof rating and can be used in a wide operating temperature range from -40 °C to 85 °C.

H-2B1 Branch
H-2B1 Solar Branch



H-2B1
DC 1500V, MAX 70A



UL94-V0



UL 1500V/ IEC 1500V



IP 68



UV RESISTANCE

TYPE	CABLE SPEC	CONNECTOR	VOLTAGE	Remark
H-2B1-2M1F	2.5m m ² ~16m m ²	Customized	1500V	
H-2B1-2F1M				

Remark:

H series harnesses use high quality weather resistance materials that guarantee long-term reliability. H series Harnesses could match 2.5 m² to 240 m² cables, it could be wildly used in different applications. H series harnesses have IP68 water-proof rating and can be used in a wide operating temperatue range from -40 °C to 85 °C.

H-3B1 Branch
H-3B1 Solar Branch



H-3B1
DC 1500V, MAX 70A



UL94-V0



UL 1500V/ IEC 1500V



IP 68



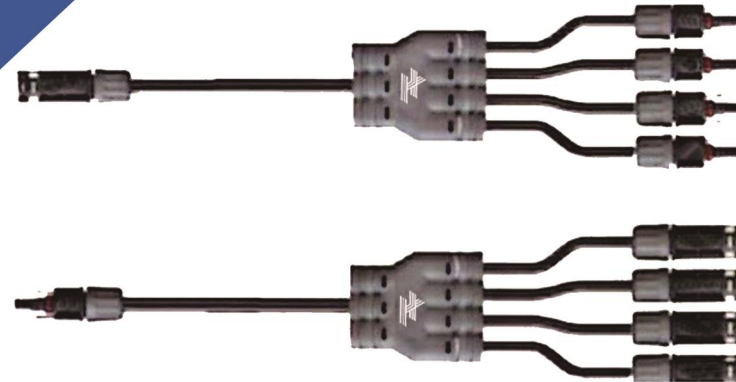
UV RESISTANCE

TYPE	CABLE SPEC	CONNECTOR	VOLTAGE	Remark
H-3B1-3M1F	2.5m m ² ~16m m ²	Customized	1500V	
H-3B1-3F1M				

Remark:

H series harnesses use high quality weather resistance materials that guarantee long-term reliability. H series Harnesses could match 2.5 m² to 240 m² cables, it could be wildly used in different applications. H series harnesses have IP68 water-proof rating and can be used in a wide operating temperature range from -40 °C to 85 °C.

H-4B1 Branch
H-4B1 Branch



H-4B1
DC 1500V, MAX 70A



UL94-V0



UL 1500V/ IEC 1500V



IP 68



UV RESISTANCE

TYPE	CABLE SPEC	CONNECTOR	VOLTAGE	Remark
H-4B1-4F1M H-4B1-4M1F	2.5mm ² ~16mm ²	Customized	1500V	

Remark:

H series harnesses use high quality weather resistance materials that guarantee long-term reliability. H series Harnesses could match 2.5mm² to 240mm² cables, it could be widely used in different applications. H series harnesses have IP68 water-proof rating and can be used in a wide operating temperature range from -40 °C to 85 °C.

H-5B1 Branch
H-5B1 Branch



H-5B1
DC 1500V, MAX 70A



UL94-V0



UL 1500V/ IEC 1500V



IP 68



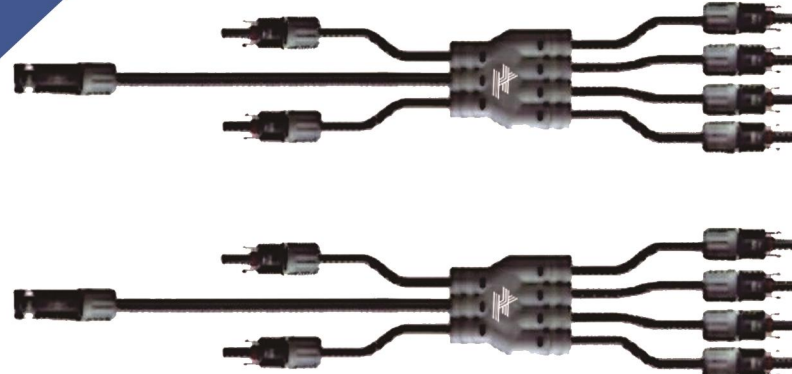
UV RESISTANCE

TYPE	CABLE SPEC	CONNECTOR	VOLTAGE	Remark
H-5B1-5F1M H-5B1-5M1F	2.5mm ² ~16mm ²	Customized	1500V	

Remark:

H series harnesses use high quality weather resistance materials that guarantee long-term reliability. H series Harnesses could match 2.5 mm² to 240 mm² cables, it could be widely used in different applications. H series harnesses have IP68 water-proof rating and can be used in a wide operating temperature range from -40 °C to 85 °C.

H-6B1 Branch
H-6B1 Solar Branch



H-6B1
DC 1500V, MAX 70A



UL94-V0



UL 1500V/ IEC 1500V



IP 68



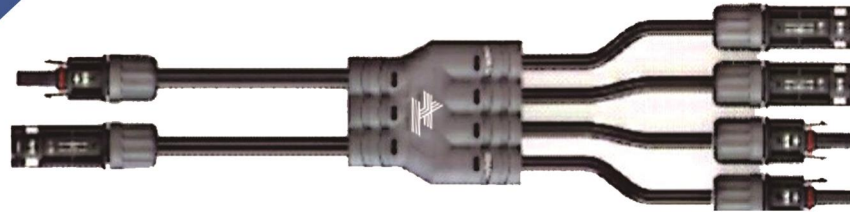
UV RESISTANCE

TYPE	CABLE SPEC	CONNECTOR	VOLTAGE	Remark
H-6B1-6M1F	2.5m m ² ~16m m ²	Customized	1500V	
H-6B1-6F1M				

Remark:

H series harnesses use high quality weather resistance materials that guarantee long-term reliability. H series Harnesses could match 2.5 m² to 240 m² cables, it could be wildly used in different applications. H series harnesses have IP68 water-proof rating and can be used in a wide operating temperature range from -40 °C to 85 °C.

H-2Y-2B1 Branch
H-2Y-2B1 Branch



H-2Y-2B1
DC 1500V, MAX 70A



UL94-V0



UL 1500V/ IEC 1500V



IP 68



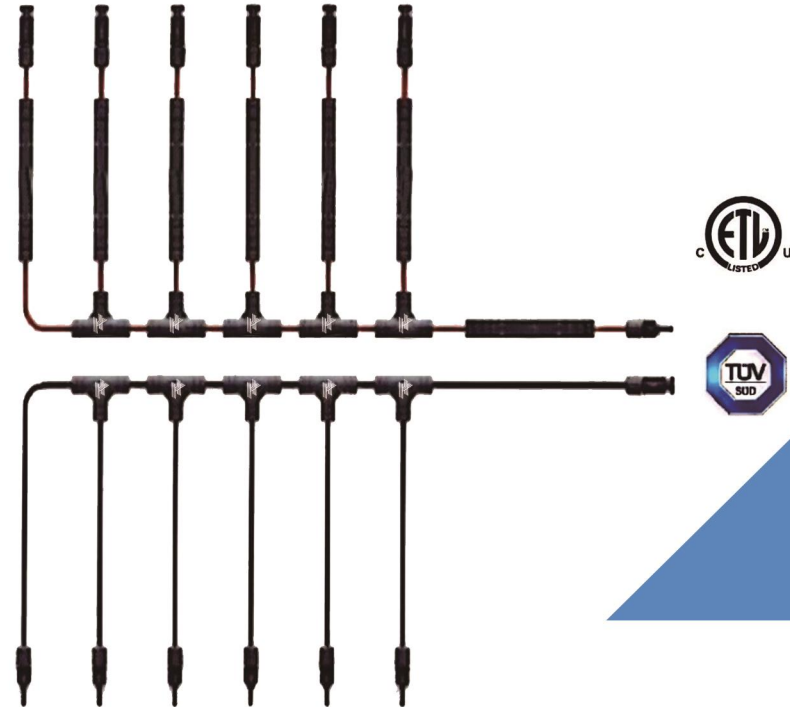
UV RESISTANCE

TYPE	CABLE SPEC	CONNECTOR	VOLTAGE	Remark
H-2Y-2B1	2.5mm ² ~16mm ²	Customized	1500V	

Remark:

H series harnesses use high quality weather resistance materials that guarantee long-term reliability. H series Harnesses could match 2.5mm² to 240mm² cables, it could be widely used in different applications. H series harnesses have IP68 water-proof rating and can be used in a wide operating temperature range from -40 °C to 85 °C.

H6 P/U Series
H6 Series



H6 P/U
DC 1500V, MAX 70A



TYPE	CABLE SPEC	CONNECTOR	VOLTAGE	Remark
H6 Positive H6 Negative	2.5mm ² ~16mm ²	Max 50A Option	1500V	

Remark:

H series harnesses use high quality weather resistance materials that guarantee long-term reliability. H series Harnesses could match 2.5 mm² to 240 mm² cables, it could be widely used in different applications. H series harnesses have IP68 water-proof rating and can be used in a wide operating temperature range from -40 °C to 85 °C.